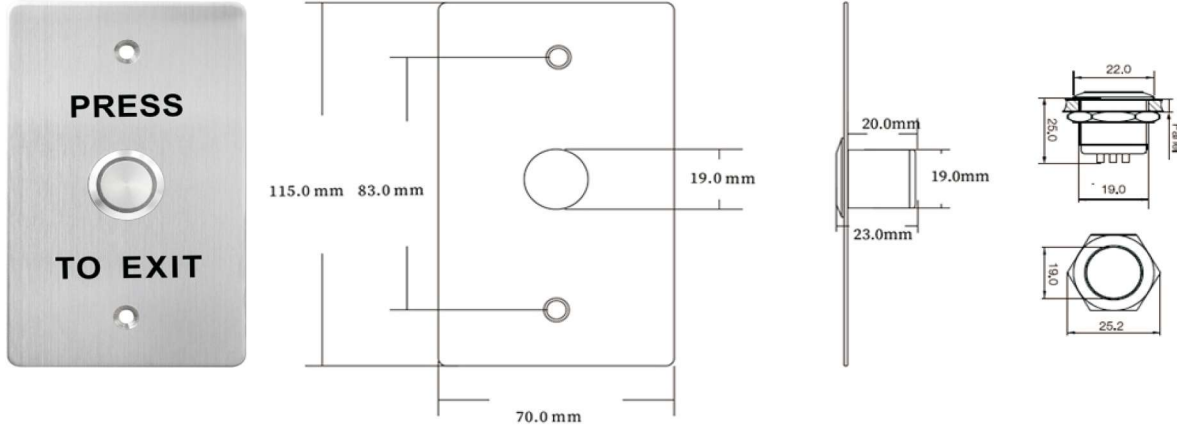


Press Exit Button

Model: PNC19-S70

Product Image



Customized plate is available

Model	PNC19-S70			
Pattern	English	Custom logo	Custom Bell	Hand & Door Symbol
Photos				

Specification:

Dimensions:	115L*70W*20H(mm)
Contact Rating:	3A/125-250VAC
Output Contact:	NO/NC/COM
Mechanical Life:	100,000 Tests
Weight:	0.168KG
Button Colour:	Silvery
Logo:	Customizable

Operating Temp:	-20°C~+55°C(14-131F)
Operating Humidity:	0-95%(relative humidity)
Installation Diameter:	19mm
Surface Mount:	Optional BB70 Back Box
Panel:	1.8mm 304 Stainless Steel
Package Quantity:	100pcs/56*37*47cm/ctn
Installation Mode:	Hollow Door